

AFL3-W07A-AL

7-inch light industrial PoE touch panel PC with Intel® Celeron N3350 SoC



Features

- » 7" WSVGA 1024 x600 TFT LCD
- » Fanless system with Intel® 14nm dual-core Celeron N3350 2.3GHz on-board SoC (up to 2.4GHz, TDP 6W)
- » 10-point PCAP multi-touch with anti-glare and anti-UV treatment
- » IEEE802.3 at/30W PoE PD power or 12V DC input
- » WLAN IEEE 802.11a/b/g/n/ac and Bluetooth 4.1
- » Selectable AT/ATX power mode
- » Lightweight yet exceptionally strong plastic mechanism with high impact strength and thermal resistance
- » IP65-rated front panel for water and dust resistance

Specifications

System	
Cooling method / System Fan	Fanless
CPU	Intel® Celeron N3350 (2M Cache, up to 2.4 GHz) TDP 6W
Storage	1 x M.2 B+M key PCIe 2242 (USB/SATA signal)
Communication	
Bluetooth	Bluetooth V4.1
Wireless	IEEE 802.11a/b/g/n/ac
I/O Interface	
Ethernet	2x PCIe GbE by Intel® i211 controller
Audio	AMP 2W (internal speaker)
Audio Codec	ALC269
RAM	One 4GB DDR3L 204-pin SO-DIMM memory pre-installed
Power	
Power Requirement	12V , 3A
Environment	
Operating Temperature	-20°C ~ 50°C
Safety & EMC	CE / FCC class A
Humidity	10% to 95% (non-condensing)
Storage Temperature	-20°C~60°C
IP Level	IP 65 compliant front panel
Weight	
Weight	0.73kg/1.81kg
LCD	
Size	7"
Resolution	1024 x 600 (16:9)
Brightness (cd/m2)	500
Contrast Ratio	700:1
LCD Color	16.7M
Pixel Pitch (mm)	0.1506 (H) x 0.1432 (V)
Viewing Angle (H-V)	150° / 145°
Backlight MTBF	20000 (LED backlight)
Touch	

Touch Screen	Projected capacitive type with USB interface (anti-UV)
Touch Controller	EXC80H60
I/O Interface	
I/O Interface	1 x AT/ATX Switch
	1 x Clear CMOS
	2 x USB 2.0
	2 x USB 3.2 Gen1x1
	2 x LAN (GbE)
	1 x Power Switch
	1 x Reset Button
	1 x Power In
OS Support	
OS Support	Microsoft Windows 10, Linux

Ordering Information


AFL3-W07A-AL-N1/P/PC/4G-R10	7" 500cd/m2 1024x600 Panel PC with Intel® Celeron® Processor N3350 (6W) on-board Processor , on-baord POE at, 1*4GB DDR3L , 802.11a/b/g/n/ac WiFi module, PCAP touch,R10
-----------------------------	--

Packing List

4 x Round head machine screw	4 x Pan head machine screw
1 x Power cord	1 x Power adapter

Hardware Feature

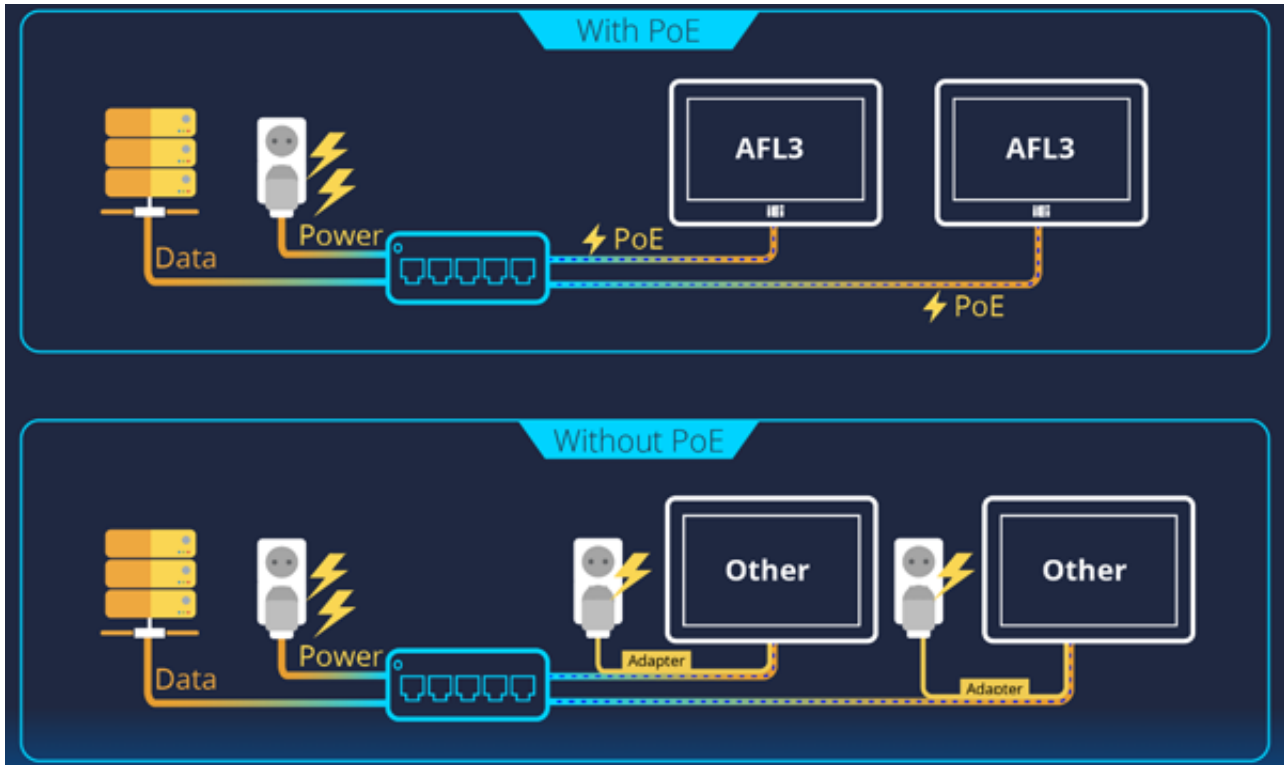
The Intel® Celeron® processor J3455 Apollo Lake, empowers real-time computing in digital surveillance, new in-vehicle experiences, advancements in industrial and office automation, new solutions for retail and medical, and more. These processors are based on the Goldmont architecture, utilizing Intel's industry-leading 14 nm process technology.



CPU microarchitecture	Bay-Trail	Apollo lake
Core Count	Up to 4	Up to 4
GPU Graphics	Intel® HD Graphics	Intel® HD Graphics 500
EU Count	up to 6 EU	up to 12 EU
Codecs	DirectX 11	DirectX 12
Process technology	22 nm	14nm

IEEE 802.3 at Standard PoE PD Panel PC

PoE allows electronic devices to receive both power and data through one Ethernet plug-in, which means less cabling and less cost is required for factory automation.



Multi-touch Screen for Industry

IEI's AFL3 series integrated with PCAP glass touch screen is extremely easy to clean and very resistant to scratches. Notes: The linen gloves touch function for optional



-20°C ~ 50°C Fanless Design



Suitable for Semi-outdoor Environment

IP65-rated front panel for water and dust resistance



Anti-glare (AG) and UV-resistant Touch Screen

The screen features anti-glare and anti-UV coating, which can reduce the reflection rate from 8% to 1% and effectively slow the aging of the screen.



Integrated I/O

