

# AFL3-W07A-AL

7-inch light industrial PoE touch panel PC with Intel® Celeron N3350 SoC



## Features

- » 7" WSVGA 1024 x600 TFT LCD
- » Fanless system with Intel® 14nm dual-core Celeron N3350 2.3GHz on-board SoC (up to 2.4GHz, TDP 6W)
- » 10-point PCAP multi-touch with anti-glare and anti-UV treatment
- » IEEE802.3 at/30W PoE PD power or 12V DC input
- » WLAN IEEE 802.11a/b/g/n/ac and Bluetooth 4.1
- » Selectable AT/ATX power mode
- » Lightweight yet exceptionally strong plastic mechanism with high impact strength and thermal resistance
- » IP65-rated front panel for water and dust resistance

## Specifications

<b>System</b>	
Cooling method / System Fan	Fanless
CPU	Intel® Celeron N3350 (2M Cache, up to 2.4 GHz) TDP 6W
Storage	1 x M.2 B+M key PCIe 2242 (USB/SATA signal)
<b>Communication</b>	
Bluetooth	Bluetooth V4.1
Wireless	IEEE 802.11a/b/g/n/ac
<b>I/O Interface</b>	
Ethernet	2x PCIe GbE by Intel® i211 controller
Audio	AMP 2W (internal speaker)
Audio Codec	ALC269
RAM	One 4GB DDR3L 204-pin SO-DIMM memory pre-installed
<b>Power</b>	
Power Requirement	12V , 3A
<b>Environment</b>	
Operating Temperature	-20°C ~ 50°C
Safety & EMC	CE / FCC class A
Humidity	10% to 95% (non-condensing)
Storage Temperature	-20°C~60°C
IP Level	IP 65 compliant front panel
<b>Weight</b>	
Weight	0.73kg/1.81kg
<b>LCD</b>	
Size	7"
Resolution	1024 x 600 (16:9)
Brightness (cd/m2)	500
Contrast Ratio	700:1
LCD Color	16.7M
Pixel Pitch (mm)	0.1506 (H) x 0.1432 (V)
Viewing Angle (H-V)	150° / 145°
Backlight MTBF	20000 (LED backlight)
<b>Touch</b>	

Touch Screen	Projected capacitive type with USB interface (anti-UV)
Touch Controller	EXC80H60
<b>I/O Interface</b>	
I/O Interface	1 x AT/ATX Switch
	1 x Clear CMOS
	2 x USB 2.0
	2 x USB 3.2 Gen1x1
	2 x LAN (GbE)
	1 x Power Switch
	1 x Reset Button
	1 x Power In
<b>OS Support</b>	
OS Support	Microsoft Windows 10, Linux

## Ordering Information


AFL3-W07A-AL-N1/P/PC/4G-R10	7" 500cd/m2 1024x600 Panel PC with Intel® Celeron® Processor N3350 (6W) on-board Processor , on-baord POE at, 1*4GB DDR3L , 802.11a/b/g/n/ac WiFi module, PCAP touch,R10
-----------------------------	--

## Packing List

4 x Round head machine screw	4 x Pan head machine screw
1 x Power cord	1 x Power adapter

## Hardware Feature

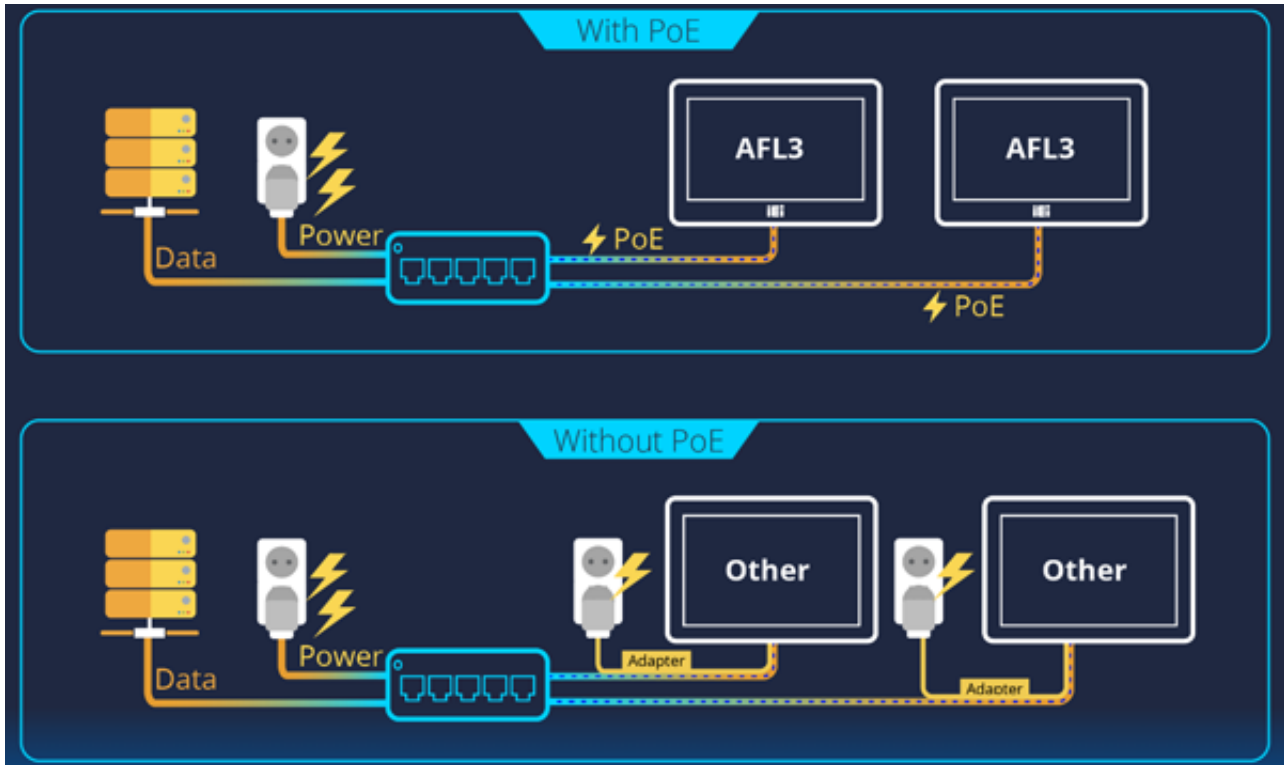
The Intel® Celeron® processor J3455 Apollo Lake, empowers real-time computing in digital surveillance, new in-vehicle experiences, advancements in industrial and office automation, new solutions for retail and medical, and more. These processors are based on the Goldmont architecture, utilizing Intel's industry-leading 14 nm process technology.



CPU microarchitecture	Bay-Trail	Apollo lake
Core Count	Up to 4	Up to 4
GPU Graphics	Intel® HD Graphics	Intel® HD Graphics 500
EU Count	up to 6 EU	up to 12 EU
Codecs	DirectX 11	DirectX 12
Process technology	22 nm	14nm

## IEEE 802.3 at Standard PoE PD Panel PC

PoE allows electronic devices to receive both power and data through one Ethernet plug-in, which means less cabling and less cost is required for factory automation.



## Multi-touch Screen for Industry

IEI's AFL3 series integrated with PCAP glass touch screen is extremely easy to clean and very resistant to scratches. Notes: The linen gloves touch function for optional



-20°C ~ 50°C Fanless Design

---



Suitable for Semi-outdoor Environment

---

IP65-rated front panel for water and dust resistance



## Anti-glare (AG) and UV-resistant Touch Screen

The screen features anti-glare and anti-UV coating, which can reduce the reflection rate from 8% to 1% and effectively slow the aging of the screen.



## Integrated I/O



