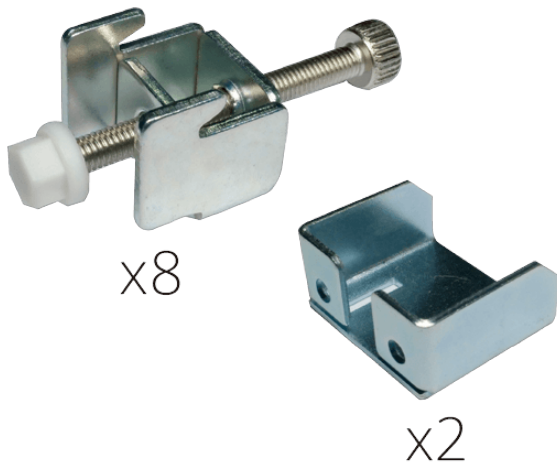


パネルアプライアンス &amp; モニタ &gt; マウントキット &amp; スタンド

## FPK-04

A set of Panel Mounting Kit is composed of a clamp and screw



## Features

Panel Mounting Kit

## Specifications

Dimensions	
Dimensions	222 x 432 x 252 mm
Material	
Material	SPCC
Weight	
Weight	3.12 Kg
Key Features	
Key Features	8 mounting kits for PPC-F15A and PPC-F17A

## Ordering Information

FPK-04-R10	PPC-F15A/F17A panel mount kit, silver color, R10
------------	--